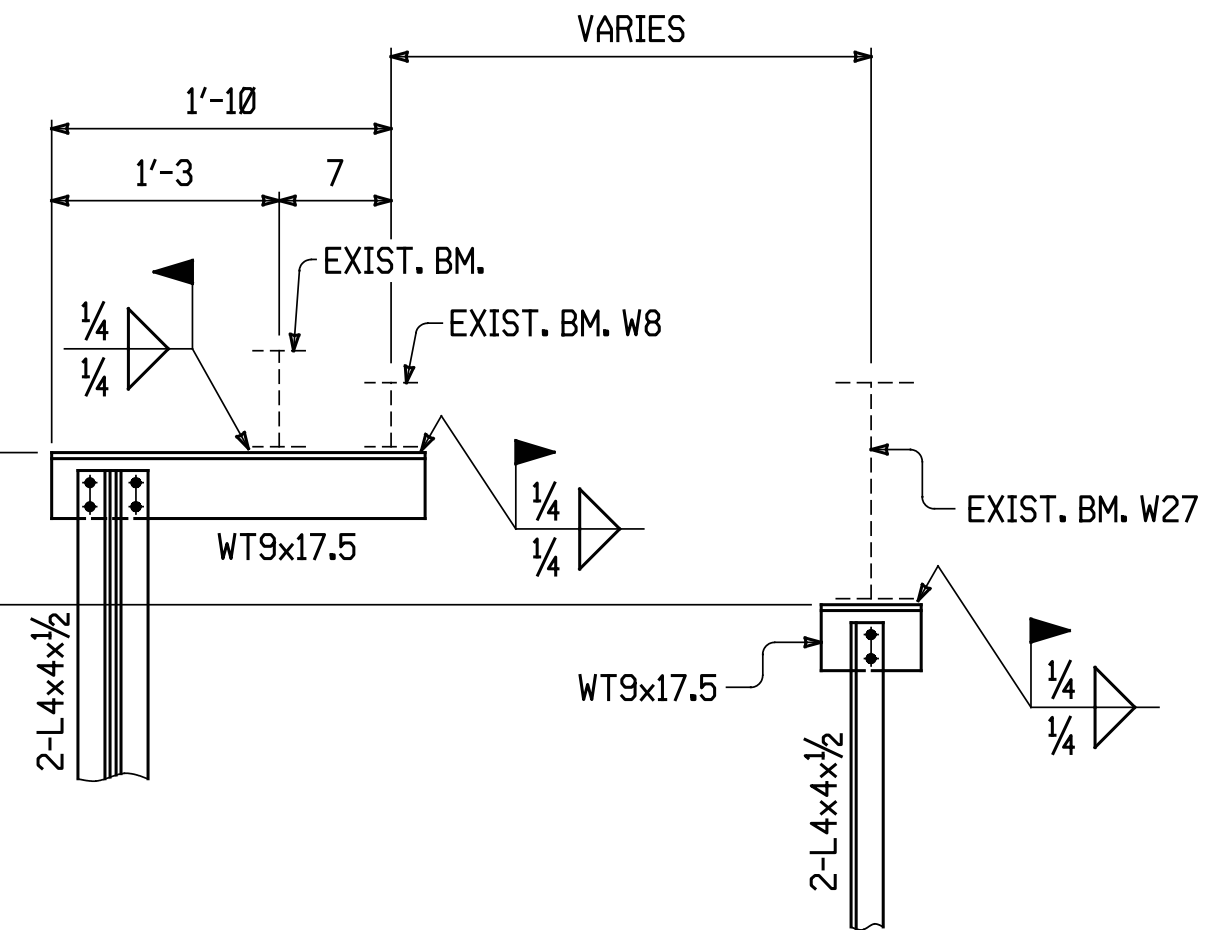
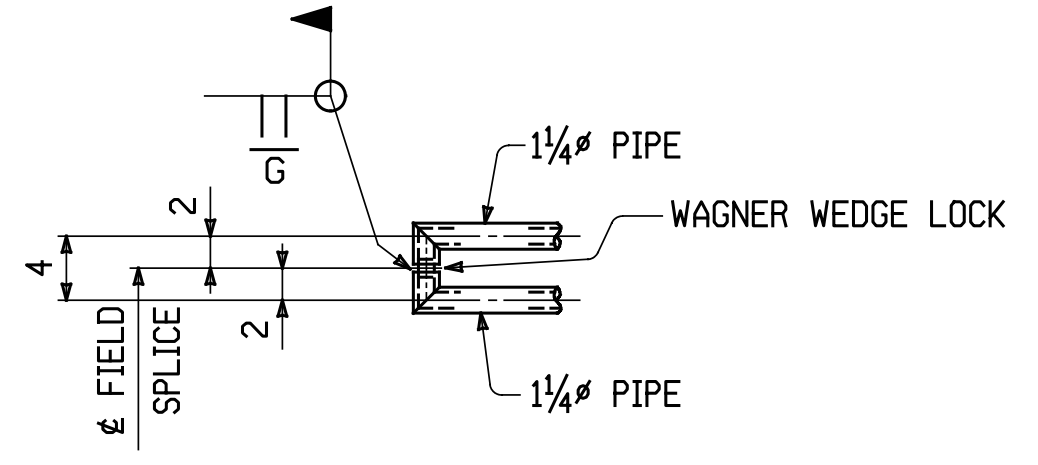


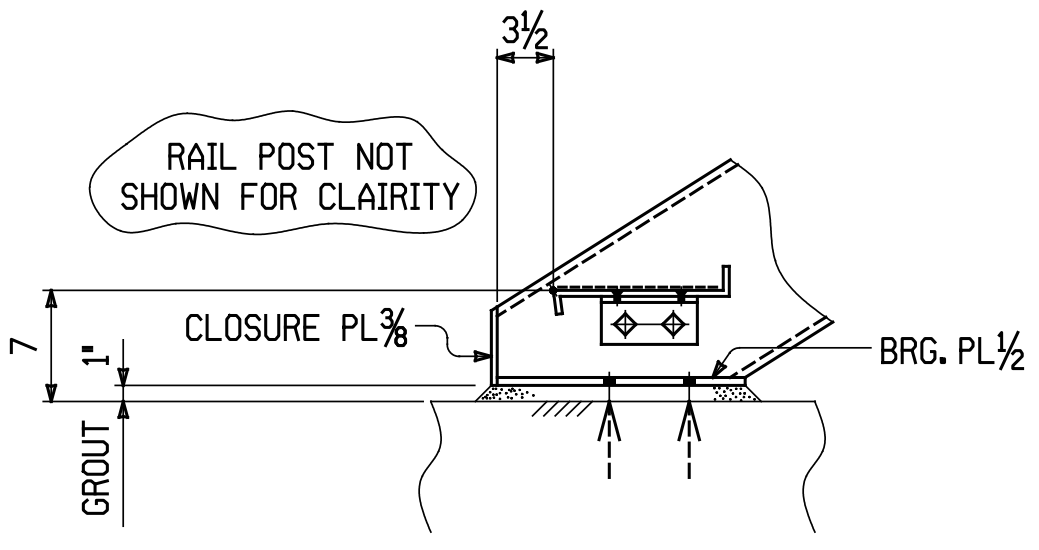
SECTION E110-1




SECTION A



SECTION B



DETAIL 1

NO.	DATE	BY	REVISION
			
UPSTATE DETAILING, INC. Structural Miscellaneous Bridges			P.O. BOX 389 BURNT HILLS, NY 12027 PH: (518) 399-0205 FAX: (518) 399-0403 info@useudi.com
DRAWING TITLE			
STAIR SECTION			
PROJECT No.:		FEDERAL AID No.:	
ENGINEER:			
CUSTOMER:			
PROJECT:			
HOLES:	PANT:	DATE:	
BOLTS:	DR. BY:	JOB NO.:	
WELDS:	CHK. BY:	DWG NO.:	
		E110	

10/9/2013
 8:40:17 AM
 Dr:Guesar/Website/E110.dgn